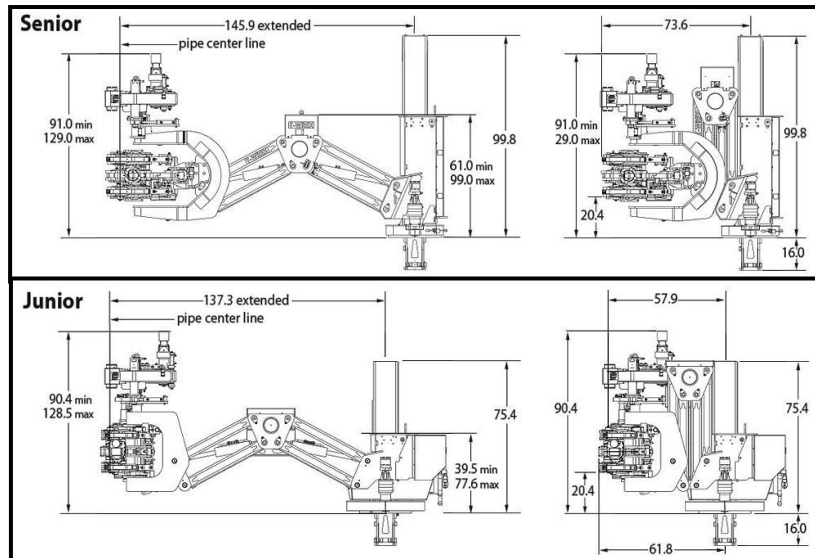


Description: The T-WREX is a pedestal mounted, remotely operated, make-up/break-out tool for drill pipe and associated tubulars. It allows a single operator to control all tool functions from a remote mounted consoles away from the tool. The consoles include controls for the pipe spinner, self energized torque wrench, vertical positioning system, forward and backward tilt ($\pm 15^\circ$) and left to right rotation (270°). Also, it includes a spinning chain oiler system, adjustable torque regulator, torque gauge and “Low Torque” warning system. The unit is shipped in reusable structural steel transportation skid and includes quick-disconnect connectors for hydraulic and pneumatic supply lines. The T-WREX comes in two models, Senior and Junior. A closed center hydraulic system providing 35 GPM at 3000 PSI is required along with 100 PSI rig air.

Specifications:

Model	Senior	Junior
Torque Rating Make-up Break-out	100000 ft-lbs (135582 N-m) 120000 ft-lbs (162698 N-m)	60000 ft-lbs (81349 N-m) 80000 ft-lbs (108465 N-m)
Size Range Torque Wrench (tool joint) Spinner	4" to 9.5" OD (102 to 241 mm) 2.88" to 9.5" OD (73 to 241 mm)	3.5" to 8" OD (89 to 203 mm) 2.88" to 8" OD (73 to 203 mm)
Estimated Weight	8820 lbs (4001 Kg)	7750 lbs (3515 Kg)



T-WREX Drill Pipe Tong